

NOTE: Print without scaling to get actual size.

PROPRIETARY AND CONFIDENTIAL
 THE INFORMATION CONTAINED IN THIS DRAWING IS THE SOLE PROPERTY OF **OneGrill**. ANY REPRODUCTION IN PART OR AS A WHOLE WITHOUT THE WRITTEN PERMISSION OF **OneGrill** IS PROHIBITED.

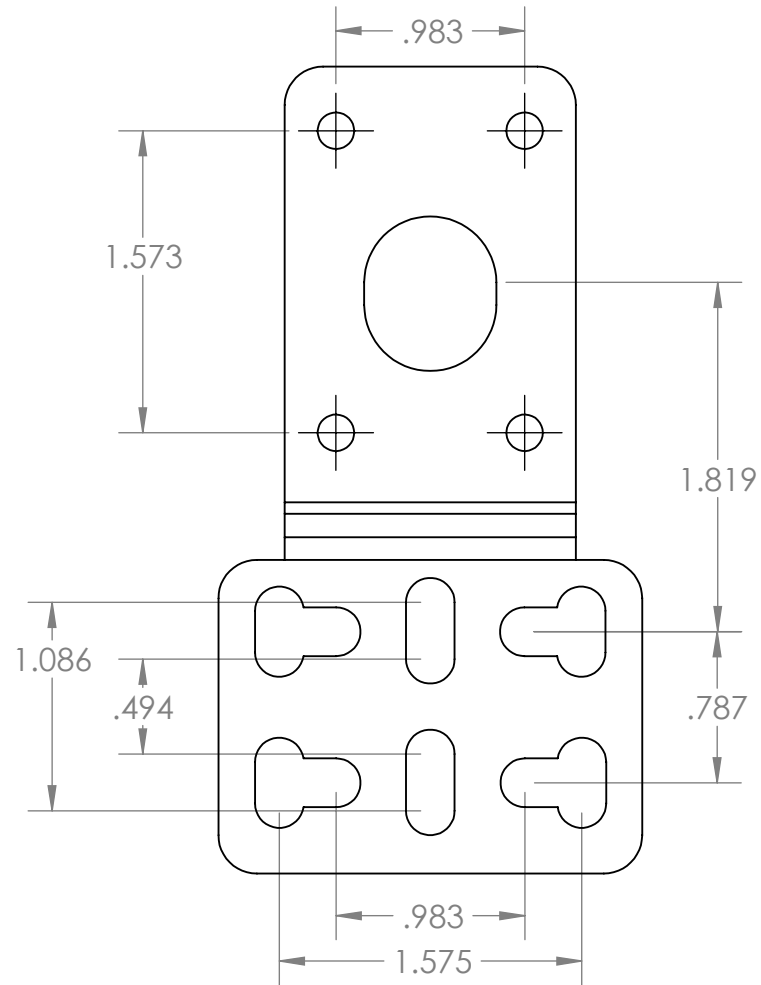
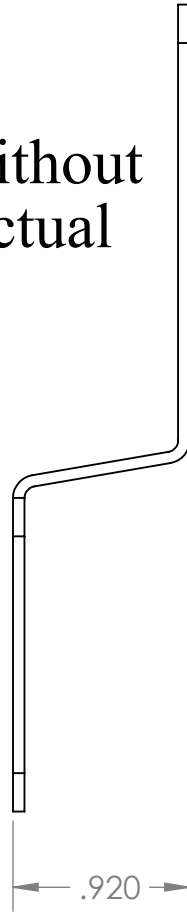
		UNLESS OTHERWISE SPECIFIED:	NAME	DATE
		DIMENSIONS ARE IN INCHES	DRAWN	
		TOLERANCES:	CHECKED	
		FRACTIONAL ±	ENG APPR.	
		ANGULAR: MACH ± BEND ±	MFG APPR.	
		TWO PLACE DECIMAL ±	Q.A.	
		THREE PLACE DECIMAL ±	COMMENTS:	
		INTERPRET GEOMETRIC TOLERANCING PER:		
		MATERIAL		
NEXT ASSY	USED ON	FINISH		
APPLICATION		DO NOT SCALE DRAWING		

OctoForks™

TITLE: 3PC Bracket Detail 1

SIZE	DWG. NO.	REV
A		
SCALE: 1:1	WEIGHT:	SHEET 1 OF 1

NOTE: Print without scaling to get actual size.



PROPRIETARY AND CONFIDENTIAL
 THE INFORMATION CONTAINED
 IN THIS DRAWING IS THE SOLE
 PROPERTY OF **OneGrill**. ANY
 REPRODUCTION IN PART OR AS
 A WHOLE WITHOUT THE WRITTEN
 PERMISSION OF **OneGrill** IS
 PROHIBITED.

		UNLESS OTHERWISE SPECIFIED:		NAME	DATE	OctoForks™		
		DIMENSIONS ARE IN INCHES TOLERANCES: FRACTIONAL ± ANGULAR: MACH ± BEND ± TWO PLACE DECIMAL ± THREE PLACE DECIMAL ±	DRAWN					
		INTERPRET GEOMETRIC TOLERANCING PER:	CHECKED			SIZE	DWG. NO.	REV
		MATERIAL	ENG APPR.			A		
		FINISH	MFG APPR.				SCALE: 1:1	WEIGHT:
NEXT ASSY	USED ON		Q.A.					
APPLICATION		DO NOT SCALE DRAWING	COMMENTS:					

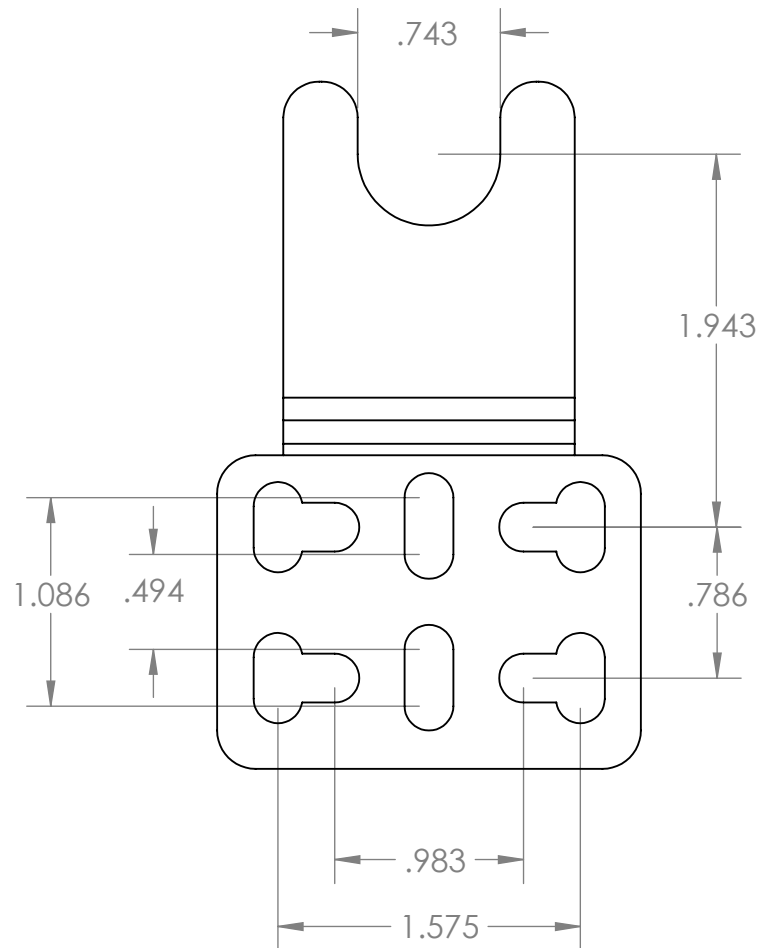
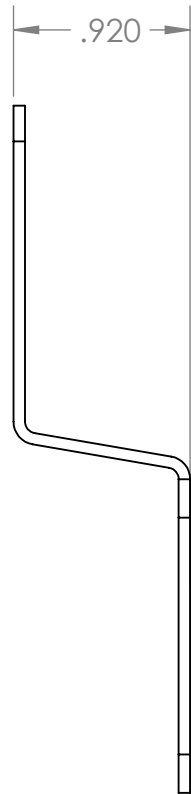
5

4

3

2

1



NOTE: Print without scaling to get actual size.

PROPRIETARY AND CONFIDENTIAL
 THE INFORMATION CONTAINED IN THIS DRAWING IS THE SOLE PROPERTY OF **OneGrill**. ANY REPRODUCTION IN PART OR AS A WHOLE WITHOUT THE WRITTEN PERMISSION OF **OneGrill** IS PROHIBITED.

		UNLESS OTHERWISE SPECIFIED:		NAME	DATE	OctoForks™		
		DIMENSIONS ARE IN INCHES TOLERANCES: FRACTIONAL ± ANGULAR: MACH ± BEND ± TWO PLACE DECIMAL ± THREE PLACE DECIMAL ±		DRAWN				TITLE: 3PC Bracket Detail 3
		INTERPRET GEOMETRIC TOLERANCING PER:		ENG APPR.		SIZE	DWG. NO.	REV
		MATERIAL		MFG APPR.		A		
NEXT ASSY		USED ON		Q.A.				
APPLICATION		DO NOT SCALE DRAWING		COMMENTS:		SCALE: 1:1	WEIGHT:	SHEET 1 OF 1

5

4

3

2

1